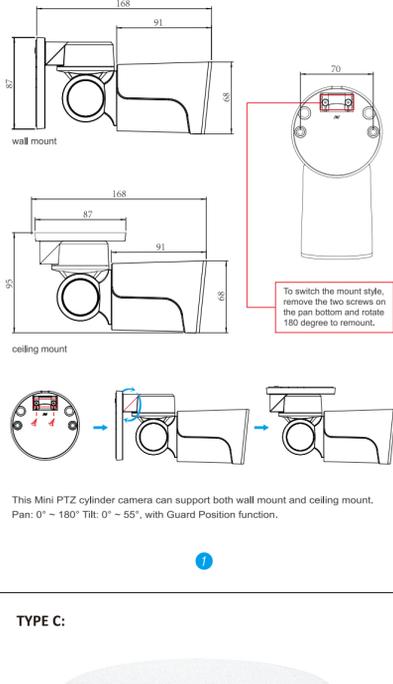


IP PTZ CAMERA USER GUIDE



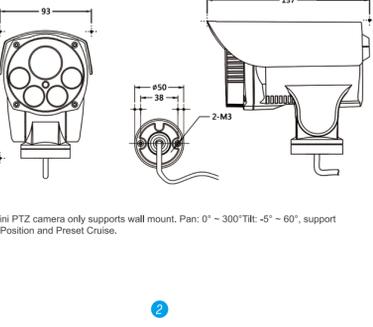
V1.2

TYPE A:



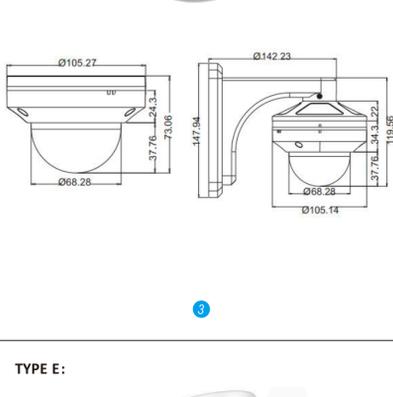
This Mini PTZ cylinder camera can support both wall mount and ceiling mount.
Pan: 0° ~ 180° Tilt: 0° ~ 55°, with Guard Position function.

TYPE B:



This Mini PTZ camera only supports wall mount. Pan: 0° ~ 300° Tilt: -5° ~ 60°, support Guard Position and Preset Cruise.

TYPE C:



TYPE D:



Note: This manual may contain some incorrect information, even though it was published with our carefully proofreading. The new updates will be added to the next release without notice. Your valuable advice is really appreciated.

TYPE E:



1 Connecting the camera to system

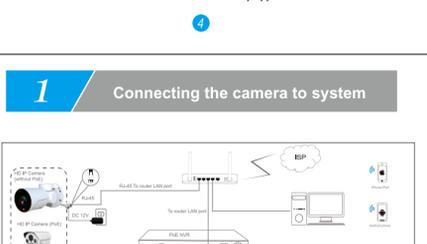


Figure 1: Working With POE NVR

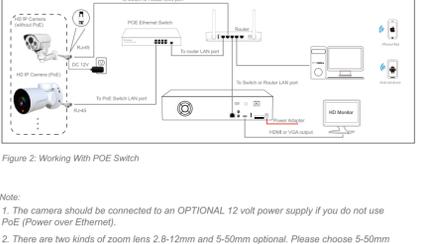


Figure 2: Working With POE Switch

Note:
1. The camera should be connected to an OPTIONAL 12 volt power supply if you do not use PoE (Power over Ethernet).
2. There are two kinds of zoom lens 2.8-12mm and 5-50mm optional. Please choose 5-50mm zoom lens for long distance video surveillance.

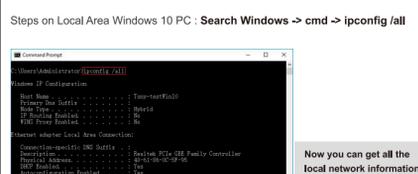
2 Modifying the camera's IP address

Default: IP address: 192.168.0.123, Username: admin, Password: 123456
(We strongly recommend modifying the default password for your security).

Each IP camera has the same default IP address after leaving the factory. In order to guarantee network connectivity and access the live video, it is essential to change the camera's IP address to unique via computer before using. You can install the **device search tool** or **UC** client from the CD to quickly configure the IP camera.

Before modifying the IP address you'd better confirm the IP network planning and avoid IP address conflict.

Steps on Local Area Windows 10 PC: **Search Windows -> cmd -> ipconfig /all**



Note: you can also find out the LAN configuration via Windows GUI

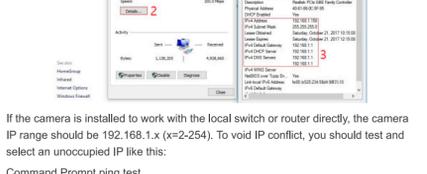


Troubleshoot problems
Open Network and Sharing Center

Now you can get all the local network information.
IPv4 address: 192.168.1.7
Subnet Mask: 255.255.255.0
Default gateway: 192.168.1.1
DNS Servers: 192.168.1.1

2 Modifying the camera's IP address

Right-click on the Network icon and select **Open Network and Sharing Center**.



If the camera is installed to work with the local switch or router directly, the camera IP range should be 192.168.1.x (x=2-254). To avoid IP conflict, you should test and select an unoccupied IP like this:

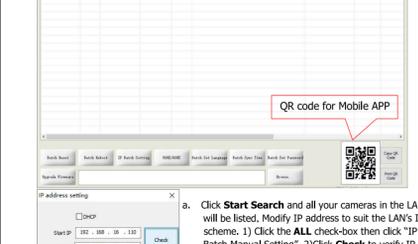
Command Prompt ping test



Only when the reply unaddressing is no conflict and available, otherwise when you see time reply do not use this IP address.

There are three methods to modify the camera IP configuration, Search tool, UC Client software and Internet Explorer.

3 Using Device Search Tool



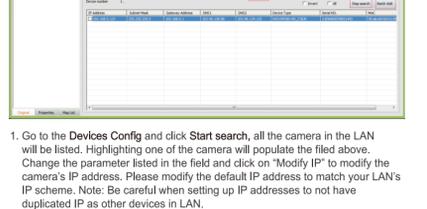
QR code for Mobile APP

a. Click **Start Search** and all your cameras in the LAN will be listed. Modify IP address to suit the LAN's IP scheme. 1) Click the **ALL** check-box then click **IP Batch Manual Setting**. 2) Click **Check** to verify IP address configuration and click **OK** to save. (It's smart that the search tool can read the computer Network IP address and calculate the camera quantity to match the range of Start IP and End IP address in a DHCP server available in the LAN. Most router has DHCP server built-in. (IP address in DHCP setting may change after device restart. We do not recommend leaving in DHCP camera on DHCP).

Reset Password -> Restore default settings;
Video full-screen -> double-click video;
Firmware upgrade -> Select the check-box, click **Browse** then click **File Upgrade**.

4 Using the UC client software

(Default user name: admin, Password: 123456)



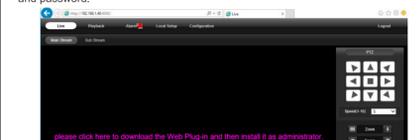
1. Go to the **Devices Config** and click **Start search**, all the camera in the LAN will be listed. Highlighting one of the camera will populate the field above. Change the parameter listed in the field and click on **Modify IP** to modify the camera's IP address. Please modify the default IP address to match your LAN's IP scheme. Note: Be careful when setting up IP addresses to not have duplicated IP as other devices in LAN.

2. After changing all the IP cameras' IP address, you can search again and add them all to UC client. Once camera is added, go to the **Tab Video View** and drag the camera into the split windows to start previewing the cameras.

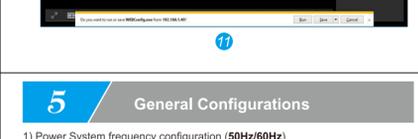
4 Working with Internet Explorer

To access the camera's web interface, type in the IP camera's IP address in Internet Explorer's URL bar to gain access to the login page. Please modify IP address to the same subnet if login page can not load.

(Default user name: admin, Password: 123456) Firefox ESR and IE are supported.



From the login page, select your familiar language, then log in with the username and password.



4 Working with Internet Explorer

Install **Web Plug-in** when red line characters prompted. You may have to download **WebConfig.exe** and run it as administrator. You can also install the **WebConfig.zip** from the included CD if some certain problems happen during Web Plug-in loading. After installation, restart or refresh your web browser and access the IP again. The live video will start automatically after login successfully.



1. **Rotation direction control** - Left/Right horizontal rotation angle is up to 180°, Up/Down vertical rotation angle can reach to 55°. Rotation speed can be adjusted.

2. **MotORIZED zoom lens control** - camera can do optical **Zoom In** and **Zoom Out**.

3. **Presets** - to remember a position, input a number and click **Add**. Then you can directly go back via call the number. Delete a preset: input a number and click **Del** (Type A camera only supports one preset point).

4. **Guard Position** - 1) remember preset 1: move the camera to an import position then **add to preset 1**; 2) enable Guard Position: **Add preset 76 -> Call preset 1**; 3) disable Guard Position: **Add preset 76 -> Call preset 2**.

5. **Presets Cruise** - 1) remember some presets: add **Call preset 1 -> add preset 2** and so on; 2) enable Presets Cruise: **Call preset 96**; 3) stop Presets Cruise: **Call preset 96**. (Only type D supports this feature)

6. For more advanced functions, go to Appendix 1 for command list. (Only type D supports this feature) go to Appendix 2 for command list. (Only type E supports this feature)

If there is a delay in live video response when accessing remotely, please switch to Sub Stream instead. To learn the function of each button, just put the mouse on it, it will show screen tips.

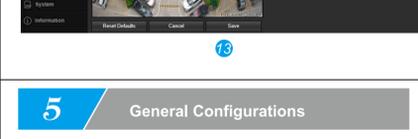
5 General Configurations

1) Power System frequency configuration (50Hz/60Hz)
2) Configuration > Camera > Image > Power Frequency

To avoid the video flicker, the camera should be set to right working frequency to suit the country electric system. The countries that use 60Hz are USA, Canada, Japan, Korea, Taiwan, Brazil, Philippines, Mexico. Other countries apply 50Hz.



2) To modify the camera Title name and Time & Date
3) Configuration > Camera > Image > OSD > Title Message



5 General Configurations

Configuration > System > Time setup

There are two time update modes available, **Manual** and **NTP**.



a. Select your Time Zone, and click **PC Sync**. Set up your DST (Daylight Savings Time) if needed, click **Save**. (Time and date will reset to 2000-01-01 if camera restarts)

b. If the camera is connected to the Internet, you can set up a NTP server for the camera to sync the time and date automatically.

3) To enable Motion Detection Alarm

Configuration > Event > Video Detection

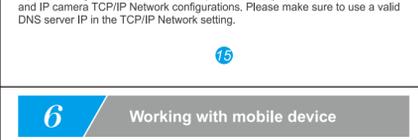


5 General Configurations

When Motion is detected, there is a small alarm light pup up beside the Alarm menu. You can also set up an email address, or FTP storage server to receive the motion snapshot. (Trigger recording will work only if memory card or NFS NAS connected.)

4) To find the device Cloud ID and QR code for p2p remote access

Configuration > Network > P2P



Using the P2P ID and QR code, you can access the camera remotely anywhere via smart phone with Internet access. Please register an account via mobile phone after installing the **Danale** APP from APP Store or Google Play Market, then log in and add your camera to start previewing.

Or you can go to the website <http://www.danale.com> to register if you need PC remote access. You can download APP from the website to find out more.

Tips: if the Login Status shows Offline, please check your Internet connection and IP camera TCP/IP Network configurations. Please make sure to use a valid DNS server IP in the TCP/IP Network settings.

6 Working with mobile device

Visit the Apple App Store or the Google Play Store to download the Danale app for iOS or Android devices. (The app file is also included in the CD. For transferring the file manually to your smart device, please refer to your smart device's manual). After installation, tap the icon to launch the Danale app. For first time use, please create a new account by following the steps below:



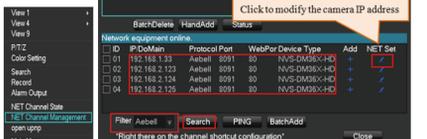
1. For new users, please tap **CREATE NEW ACCOUNT** to register an account.

2. Type in your mobile phone number or email address, then tap **NEXT**.

3. Check your SMS or Email for the verification code, then tap **NEXT**.

4. Tap **+** to Add devices

5. Tap **QR Code** to add to get into the scan camera QR code page, or click **NEXT** to discover the connected local LAN IP camera.



6. Tap **+** to check your account profile and configure settings

7. To share your camera with your friends or another user, click **+** icon and type in or scan his/her Danale account.

6 Working with mobile device

6. Put the IP camera QR code in the app effective scan area, and then give a nickname for the recognized camera.

7. Tap the camera list to start live video.



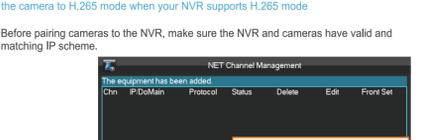
Tips:
a. Tap **+** to check your account profile and configure settings
b. To share your camera with your friends or another user, click **+** icon and type in or scan his/her Danale account.

Note: If you cannot connect the camera, please check your Internet connection and verify the IP address, gateway, and DNS setting in the camera. The Cloud login status should be **online**, which means the camera has registered to the cloud server. You may also want to connect your phone to WiFi for better performance.

7 Working with NVR

The IP camera supports standard ONVIF protocol and it can be added to third-party video recorder. Some of the models support both H.264 and H.265 encode mode. The H.265 encode mode can compress the video data to a very low bit rates which allows more video data storage than normal H.264 camera. Only configure the camera to H.265 mode when your NVR supports H.265 mode

Before pairing cameras to the NVR, make sure the NVR and cameras have valid and matching IP schemes.



Note: Some of the PoE NVR supports Plug & play, which allows you to get video without manually set IP address. If Plug & play feature is not available or not compatible, please follow the NVR manual's steps and select ONVIF protocol as the pairing protocol. (camera default password: 123456)

If the PoE NVR can not discover the connected camera or can not display the camera video, please check it's internal PoE interface IP configuration and make sure all connected cameras and NVR PoE interface are in the same subnet for technical assistance. For more help please contact the both NVR and IP camera suppliers for technical assistance.

8 Appendix 2 For Type E

IP PTZ Function	Command	Comments
Start SEQUENCE No.1 (Preset:1-7.5s)	Call 65	
Start SEQUENCE No.2 (Preset:8-16.10s)	Call 66	
Start SEQUENCE No.3 (Preset:17-24.15s)	Call 67	
Start SEQUENCE No.4 (Preset:25-32.20s)	Call 68	
Start SEQUENCE No.5 (Preset:33-40.30s)	Call 69	Start SEQUENCE
Start SEQUENCE No.6 (Preset:41-48.60s)	Call 70	
Start SEQUENCE No.7 (Preset:49-56.90s)	Call 71	
Stop / End Set	Call 72	
Start A-B Low Speed SCAN	Call 86	
Start A-B middle Speed SCAN	Call 88	
Start A-B High Speed SCAN	Call 89	
Set SCAN Right Border	Set 93	Scan A - B
Set SCAN Left Border	Set 92	
Stop / End Set	Call 96	
Set Guard / Idle Action	Set 68-Set pp	pp=1-7, Preset
Set Power on Action A & B Scan	Set 70	pp=1-18, Sequence
Stop Power on Action	Set 72	(120seconds start)
Erase All Preset	Call 90	
Reload DEFAULT settings	Call 94	
Set Rotate Speed	Set 99-Set pp	pp=20(Range:1-64)
IR Control	Call 74, Open IR Call 76, Close IR Call 75, AUTO IR Call 97, IR Power Max. Call 98, IR Power Min.	

9 Frequently Asked Questions

1. Why can't I open the default IP address 192.168.0.123 via web browser?
Check your computer's IP address before accessing the camera. If the IP address does not match the 192.168.0.x scheme, please install the IP search tool from the CD to modify the camera's IP address. Make sure the IP address of the camera matches the LAN IP scheme. For example, if the LAN is 192.168.1.xxx, then set the IP camera to 192.168.1.123 and so on. Only IE and Firefox ESR windows computer are supported by the camera.

2. How to reset the password?
The default Username: admin, Password: 123456. If you lost the password or would to reset the camera's setting, please install the search tool to search the camera IP and click **Reset** factory button.

3. How to upgrade the IP camera?
1) Ask the supplier for the suitable firmware.
2) you can use the web browser, search tool, or PC client to upgrade the camera
3) go to the Configuration > System > update, click **browse** and select the firmware, then click **Upgrade** button and wait for the operation to complete.

4. How to fetch the RTSP video stream and http snapshot?
1) Main Stream: rtsp://IP:554/h264?user=admin&password=123456
2) Sub Stream: rtsp://IP:554/h264?user=admin&password=123456
3) low resolution snapshot: http://ip/cgi-bin/inaaphot.cgi?stream=1
4) HD snapshot: http://ip/cgi-bin/inaaphot.cgi?stream=0

5. Why does the NVR not show image after adding my IP camera?
1) Ask the supplier for the suitable firmware.
2) Make sure the NVR and IP camera are the same IP scheme.(eg. NVR:192.168.1.x, and IP camera:192.168.1.y)
3) try changing the camera encode mode to H.264 if the NVR can't support H.265. (Configuration -> Camera -> Video -> Encode mode to H.264)

6. How to make the NVR record in motion detection mode?
1) Enable the IP camera motion detection function via web browser or Search configure tool.
2) add the IP camera via ONVIF protocol.
3) change the NVR record mode to Motion Detection Mode.
4) check the NVR screen MD icon and try playback. Please refer to your NVR manual for NVR motion record option.

7. Where can I control the motorized auto focus lens zoom?
1) Using the camera's web interface;
2) Control by PC client software UC;
3) Roll the mouse wheel at the search tool preview window;
4) Find the PTZ menu in your NVR to control lens zoom.